



VITEK® 2 XL

VITEK® 2

PC + Software

Smart Carrier™

## Designed for Efficiency

- Choose a module designed for 60 or 120 cards.
- A system is comprised of a PC, Reader/Incubator, and Smart Carrier Station™
- Capable of performing Gram-Negative, Gram-Positive and Yeast Identification and Susceptibility Tests.
- Increase work capacity by connecting 2 Reader/Incubator Modules together.

### Weight:

VITEK 2: (60 card capacity) 110 kg (240 lb)  
 VITEK 2 XL: (120 card capacity) 145 kg (320 lb)

### Electrical Power Requirements:

- 100/120 VAC (50-60 HZ)
- 220/240 VAC (50-60 HZ)

### Heat Dissipated:

VITEK 2: 512 BTU/Hr. (nominal)  
 VITEK 2 XL: 682 BTU/Hr. (nominal)

### Environmental Requirements:

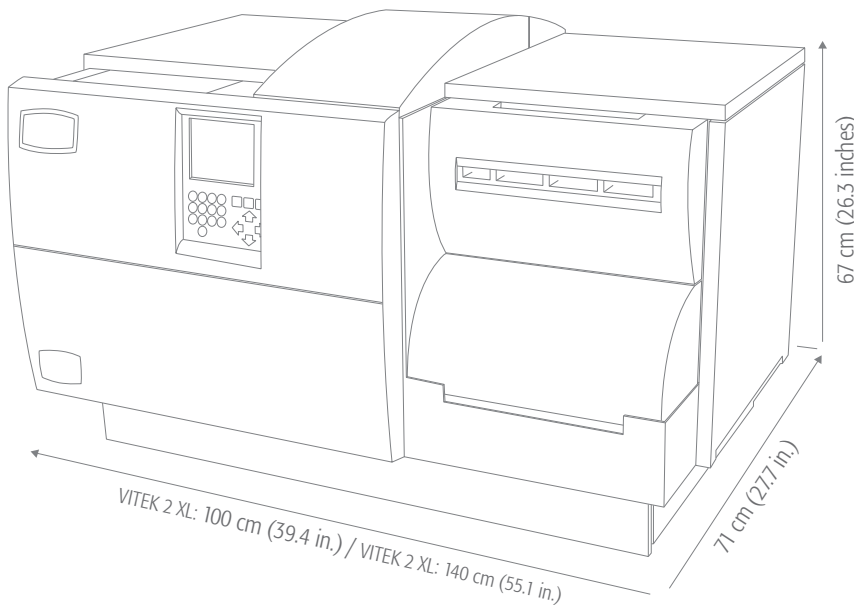
- Operating Ambient Temperature Range: 68°F-86°F (20°C to 30°C)
- Operating Humidity Range: 20% to 80% relative humidity, non-condensing

### Altitude:

up to 2000 m.

### Capacity:

60 or 120 cards  
 (2 modules can be connected to the same computer).



VITEK 2 XL: 100 cm (39.4 in.) / VITEK 2 XL: 140 cm (55.1 in.)

**bioMérieux S.A.**  
 69280 Marcy l'Etoile  
 France  
 Tel. : 33 (0)4 78 87 20 00  
 Fax : 33 (0)4 78 87 20 90

[www.biomerieux.com](http://www.biomerieux.com)



**VITEK 2™**



# The Fully Automated Solution

## Putting the Patient First

Antimicrobial resistance is threatening to significantly reduce the available arsenal of antimicrobials. As a microbiologist, you play a crucial role in providing information that leads to improved **therapeutic success** and **patient outcome**<sup>(1)</sup> – an increasingly difficult task given the rise in antimicrobial resistance. Helping the clinician select the **best treatment fast** based on the **right identification and resistance information** is crucial.

With VITEK<sup>®</sup> 2, you can accomplish all this in **less time** and still focus on those tough tasks requiring a microbiologist's highly specialised skills. This **completely automated** system provides same-day identification and antibiotic susceptibility results.

# Complete

## Same day results

### VITEK 2 Card - A unique concept in ID/AST

- Designed to provide ID/AST results in as little as **5 to 8 hours**.<sup>(2)</sup>
- Reduced hands-on time, **no additional reagents** are required
  - Optimised user **safety** as it is a closed disposable
  - **Maximum traceability** provided with the pre-applied card barcodes
  - **Lightweight reduces disposable costs**

The Smart Carrier Station™ (SCS) teamed with the card saves further valuable time by handling the organism suspensions and linking the specimen to the test card.



# Smart Carrier



## Streamline Your Workflow

This system will positively revolutionize your way of working. VITEK 2 really means complete automation.

### Minimum preparation

After primary isolation, handling is minimized in a simple inoculum preparation and standardization. The standardized inoculum is placed into the cassette and a specimen identification number is entered into the Smart Carrier Station.

### Optimum Traceability

Using an easy-to-use hand-held scanner the VITEK 2 card type is then read from the card's pre-applied barcode and linked to the specimen ID.

### Complete Automation

After loading the cassettes, incubation and reading are controlled by the system.

**No user intervention is required.**

(1) Barenfanger et al, JCM, May 1999, Vol 37, No 5  
(2) Rommler, et al, Poster C-123, ASM Orlando, May 2006



# VITEK 2™

## ID/AST Automation



Station™

A unique concept in test preparation that saves time, offers full traceability and enhances productivity

## Results at a Glance !

We have designed the VITEK® 2 software to help you get your results out fast.

- **Intuitive, easy-to-use**, familiar Windows-design layout
- **Easy access** to ID and AST results using the navigation tree and filters
- **Rapid result searches** by patient, bench, date tested, organism, technologist, accession number
- Simple bidirectional connection with your LIS
- **Automatic validation and transfer** of preliminary results



## Antibiotic Choice Made Easy

To facilitate choosing the most appropriate antibiotic, bioMérieux has developed the **Advanced Expert System™ (AES)** to provide rapid, accurate "fingerprint" recognition of bacterial resistance mechanisms.

**Green indicator:** fully consistent results

**Yellow indicator:** inconsistent result, review requested

**Red indicator:** unknown phenotype, check results

**Purple indicator:** phenotype not in database

**AES even recommends therapeutic changes when resistant phenotypes are recognised to help ensure therapeutic success.**



BIOMÉRIEUX